

# MACY

INDUSTRIES, INC.

## *SPIRAmir*

A GREEN PRODUCT

8 INDUSTRIAL PARK DRIVE  
HOOKSETT, NH 03104

p: (603) 623 - 5568

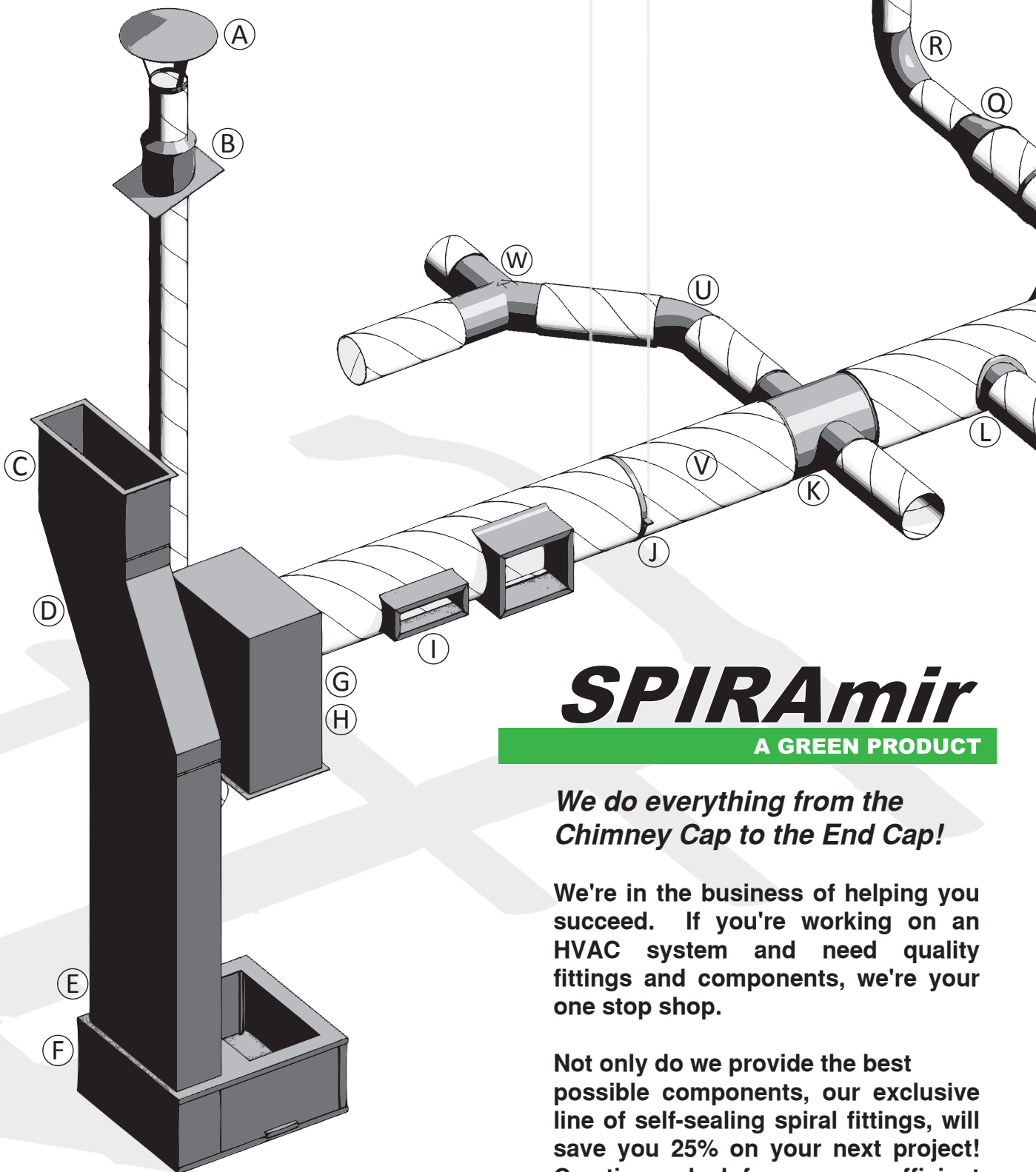
f: (603) 623 - 1155

[www.MACYINDUSTRIES.com](http://www.MACYINDUSTRIES.com)

# M

# MACY

INDUSTRIES, INC.



## ***SPIRAMir***

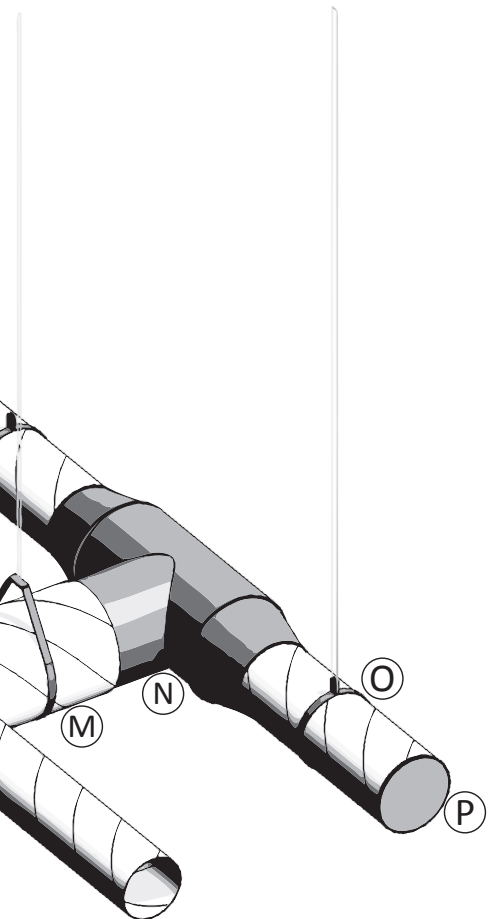
**A GREEN PRODUCT**

*We do everything from the Chimney Cap to the End Cap!*

We're in the business of helping you succeed. If you're working on an HVAC system and need quality fittings and components, we're your one stop shop.

Not only do we provide the best possible components, our exclusive line of self-sealing spiral fittings, will save you 25% on your next project! Creating a leak-free energy efficient system for any type of project or installation.

**YOUR SOLUTION FOR METAL FABRICATION**



# M

MACY INDUSTRIES, Inc., is a family owned business who has been satisfying industrial and commercial metal fabrication needs since 1975.

Flexibility is a strength that has allowed us to succeed in completing Research & Design prototyping to production runs including custom machinery.

**It's not the projects, but the people that make us successful.** From irreplaceable clients to dedicated employees, each person in the chain of production makes everything possible.

# M

***What distinguishes MACY INDUSTRIES, INC., from other businesses is its professionalism, organization, and quality products.***

Specializing in custom metal fabrication to meet your specific needs, our in-house engineering staff, equipped with CAD automated software and a state-of-the-art fabrication and welding facility, can provide products and services that will save your project time and money.

MACY INDUSTRIES, INC., can also design and fabricate any custom dust collection or any HVAC system to meet your



# M

Besides our passion for MACY INDUSTRIES, INC., and the metal industry, we stand by the value our product gives our customers.

**We know if we provide competitive fittings, components and custom solutions customers will continue to make our products their choice. Our commitment to value, quality and service is why we work everyday to meet the needs of our clients.**

# M

***"The number one and most important person in the business is the customer and only through their satisfaction can we gain success."***

Marcel J. Mercier  
Founder & President

- A CHIMNEY CAP
- B ROOF CURB WITH STORM COLLAR
- C FLANGED RETURN DUCT
- D OFFSET
- E SQUARE DUCT
- F RETURN AIR BOX WITH FILTER RACK
- G PLENUM - LINED | NON-LINED
- H BELLMOUTH | START COLLAR
- I FLANGE - IN REGISTER BOX
- J DOUBLE ROD HANGER
- K 180° CROSS
- L 90° SADDLE TAP
- M SINGLE ROD HANGER
- N BULLHEAD TEE
- O ECONOMY HANGER
- P END CAP
- Q CONCENTRIC REDUCER
- R 90° ELBOW
- S SQUARE TO ROUND
- T FLANGE - OUT REGISTER BOX
- U 45° ELBOW
- V SPIRAL PIPE
- W WYE



# MACY

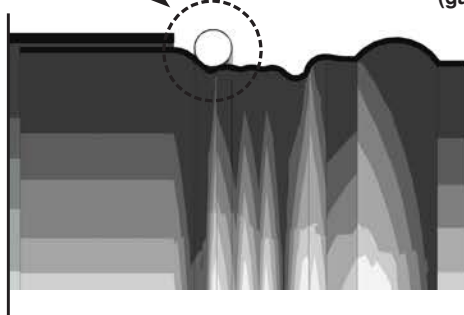
INDUSTRIES, INC.

## DID YOU KNOW: SPIRAMir SPIRAL FITTINGS MEET SMACNA'S CLASS 3 LEAKAGE REQUIREMENTS!

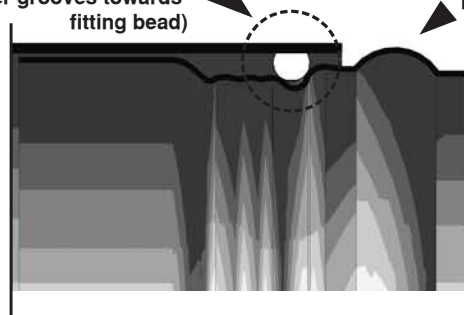
# SPIRAMir

A GREEN PRODUCT

**GASKET IN STARTING POSITION**  
(towards leading edge of fitting)



**GASKET IN FINAL SEATED POSITION**  
(gasket rolls over grooves towards fitting bead)



**FITTING BEAD**

# M

## EXPERIENCE THE DIFFERENCE QUALITY FITTINGS CAN MAKE.

The best fitting in the industry:  
*Designed with your needs in mind!*

- Save 25% on installation costs
- Ensure tight seals, cleaner air quality and energy savings
- Ideal for exposed spiral projects, finished ductwork is clean and void of sealer or tape
- New O-Rings can be added at any point of fitting lifecycle

The *SPIRAMir* self-sealing duct system utilizes a soft rubber o-ring on every fitting which allows the fitting to smoothly slide into place and form a tight seal when the duct connection is made.

***This tight seal ensures cleaner air quality and energy efficiency.***

Our patented system is available in numerous materials:

Galvanized Steel | PCD/PVC  
Galvaneal | Aluminum | Stainless Steel

- Easy to Install
- Perfect for any job (exposed or not)
- Quick lead time for custom fittings

**YOUR SOLUTION FOR METAL FABRICATION**

# CUSTOM SOLUTIONS TO MEET THE NEEDS OF ANY PROJECT

**M**

## HANGERS

Available in any size or material, every project needs them!

**Strap/Economy Hanger:** Most economical and easy to use, 18 GA hanger, strap not included.

**Single Rod Hanger:** Most popular, 14 or 16 GA hanger, 9/16" hole, rod not included.

**Wall Mount:** 16 or 18 GA hanger, 9/16" holes and mounting plate, very popular with dust collection and vertical installations, depth of mounting plate variable to fit your needs.

**Double Rod/Half Double Rod:** 14 or 16 GA hanger, 9/16" hole, rod not included, half double rod also available upon request.

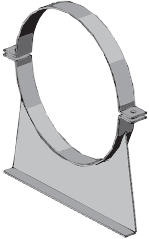
trap/Economy Hanger:



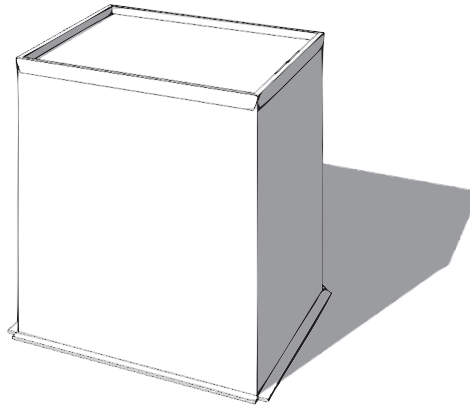
Single Rod Hanger:



Wall Mount:



Double/Half Rod Hanger:

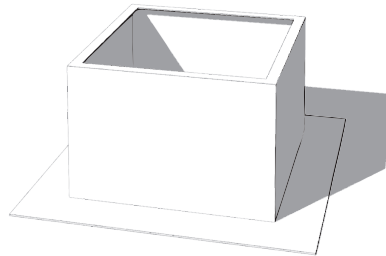


## PLENUMS

Custom plenums are available for equalized pressure and more even distribution.

### QUICK TURN AROUND!

**Available:**  
Any height or material  
Flanged  
With end cap  
Assembled  
Lined with 1" - 3" Insulation



## PANS

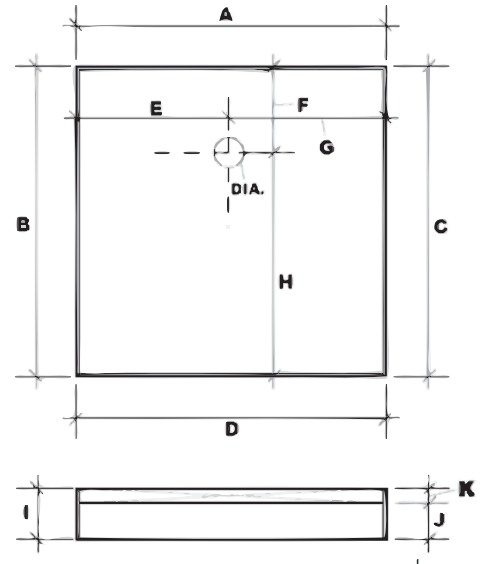
Available welded in any material.

**Welded:** 20, 18 or 16 GA Material of any kind.

**Sealed:** Most economical, 26, 24 or 22 GA Material of any kind.

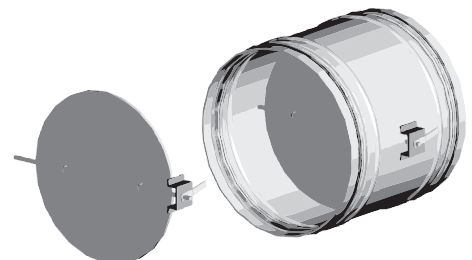
Drain placement or installation available, any height, materials include: Aluminum, Stainless, Galvanized or Copper.

Contact your local supplier for a custom pan sheet to submit for your order.



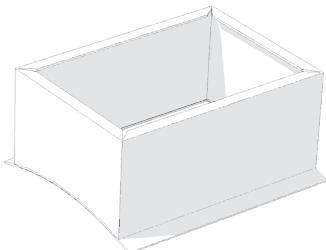
## VOLUME DAMPERS

Available as a blade or section, easily balance your system with our quality damper program. Available in any material with or without an actuator plate (when specified).



## REGISTER BOXES

90° or 45° take-offs ready to receive your register grill. Easily complete your project with our register boxes; receive your custom order within days.



## CURB/FAN ADAPTERS

Quickly solve your adapter problems with our custom fan and curb adapters. Contact our staff of engineers to help design the most efficient solution.

**Available:**  
Any height or material  
Flanged  
Lined with 1" - 3" Insulation  
Welded  
16, 18 or 20 GA material

**M**

# MACY

INDUSTRIES, INC.

**Hanging Strap:** quickly hang your duct with 1" 18 or 16 gauge material, available in both 8' and 10' lengths.

**Beam Clamps:** easily hang boxes, duct, conduits cables and fixtures from building structural members.

**Custom Access Doors:** access doors for duct work, mechanical or hvac. Any size, material and style for your unique application.

**Blast Gates:** a complete line of blast gates in a variety of styles and configurations to work with every application, perfect for your dust collection system.

**Angle Iron:** custom lengths available, available by the foot or in full lengths.

**Stands:** stands for HVAC units, quickly hang, mount or lift your costly unit onto our custom designed and fabricated stands.

**Cages:** do not risk having someone damage your client's HVAC units; custom cages protect vital valuable components from theft and damage.

**M**

**COMPLETE YOUR PROJECT WITH OUR DUCT COMPONENTS AND CUSTOM METAL SOLUTIONS**

**M**



**Heavy Gauge Welding and Fabrication:** MACY INDUSTRIES, INC., has evolved over the past 36 years to bring together a team of experienced engineers and highly talented metal fabrication experts to provide our customers a range of services that will exceed your expectations. We pride ourselves on having the flexibility to produce products that are unusual and difficult for other metal fabrication shops to produce.

**YOUR SOLUTION FOR METAL FABRICATION**



**M**

**Dust Collection:** MACY INDUSTRIES, INC., is your leading service center for the design and fabrication of custom Dust Collection systems. Our experience includes air pollution control products for dust, mist, and fume, as well as industrial ventilation control systems for general industrial applications. Our factory trained field technicians can provide the professional courteous support that your facility needs to operate flawlessly.

**Fabrication Capabilities:**

- Welded Duct Work
- Ventilation Hoppers
- Down Draft Benches
- Ventilation Hoods

**M**

**Commercial Breeching:** MACY INDUSTRIES, INC., provides boiler breeching in the form of heavy welded duct and fittings for the outlet of boiler air to the flue gas stack. Our first class engineers can design, fabricate, and over-see the installation of commercial breeching system for your facility clients.

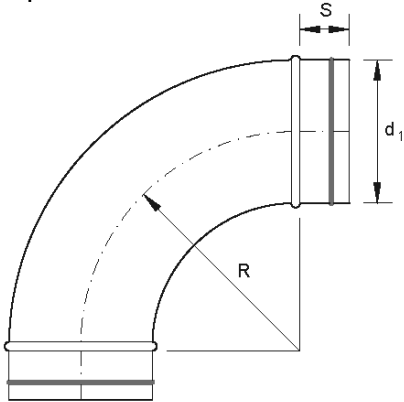
Available in 16, 18 or 20 gauge material, flanged and welded fittings and duct.

**M**

# MACY

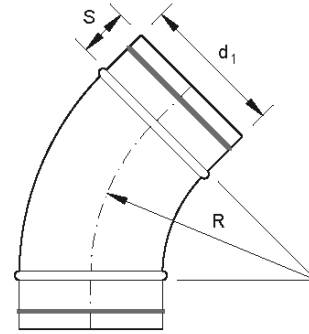
INDUSTRIES, INC.

Sizes 4" thru 8"  
90° Die-Stamped Elbow



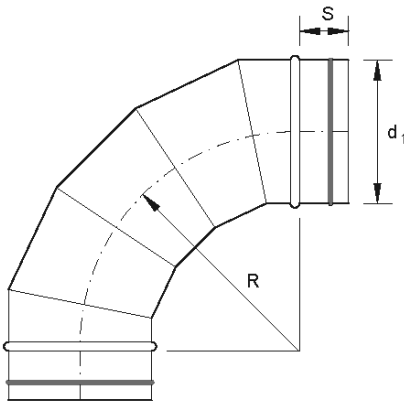
DF90  
R=1.0Xd

Sizes 4" thru 8"  
45° Die-Stamped Elbow



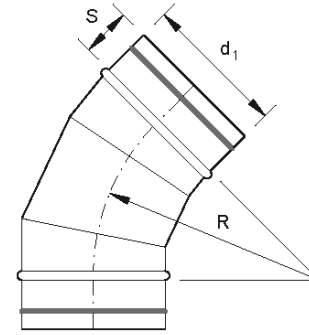
DF45  
R=1.0Xd

90° 5-Piece Elbow



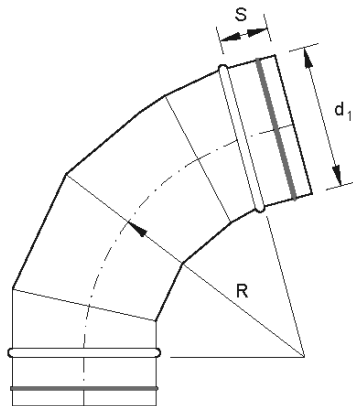
G590  
R=1.0Xd

45° 3-Piece Elbow



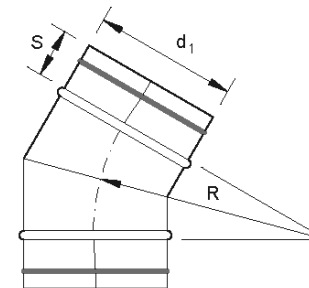
G45  
R=1.0Xd

75° or 60° 4-Piece Elbow



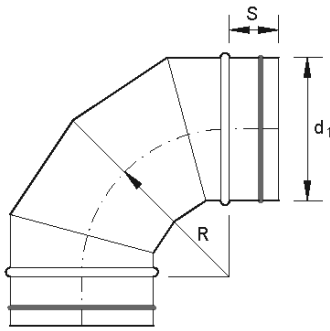
G475 OR G460  
R=1.0Xd

30° or 22.5° 2-Piece Elbow



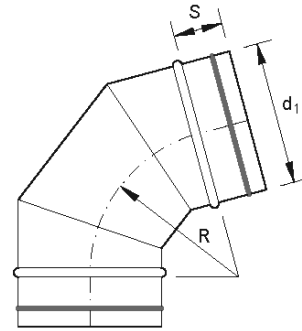
G230 OR G222  
R=1.0Xd

90° 4-Piece Elbow



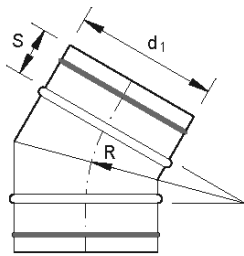
G90  
 $R=1.0Xd_1$

75° or 60° 3-Piece Elbow



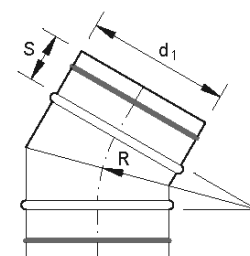
G375 OR G360  
 $R=1.0Xd_1$

45° 2-Piece Elbow



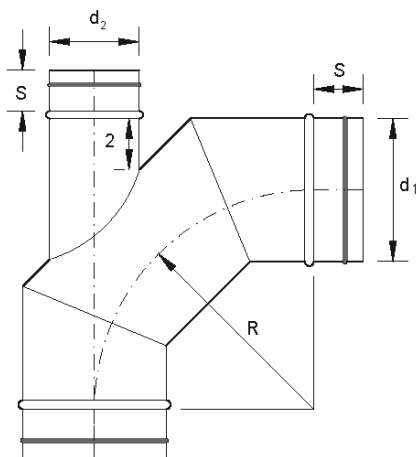
G245  
 $R=1.0Xd_1$

30° or 22.5° 2-Piece Elbow



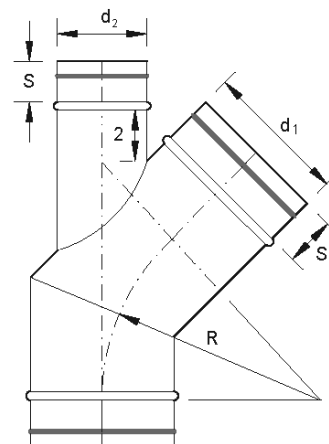
G245 OR G222  
 $R=1.0Xd_1$

90° 3-Piece Elbow with Take-Off



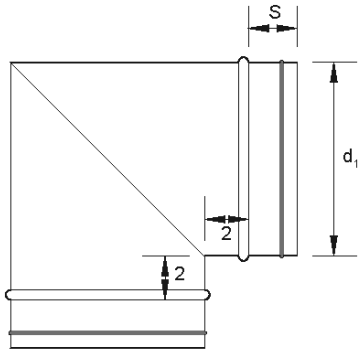
G390TO  
 $R=1.0Xd$

45° 2-Piece Elbow with Take-Off



G245TO  
 $R=1.0Xd$

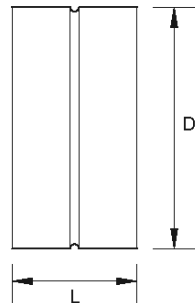
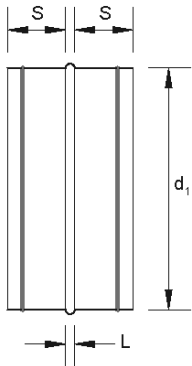
90° 2-Piece Mitered Elbow with or without Turning Vanes



M290

Coupling for Pipe

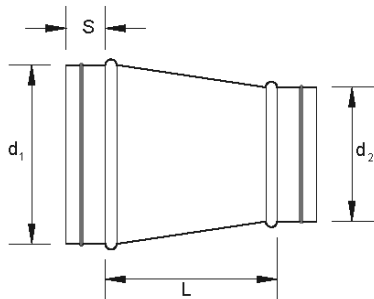
Coupling for Fitting



SPC

SFC

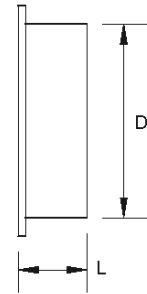
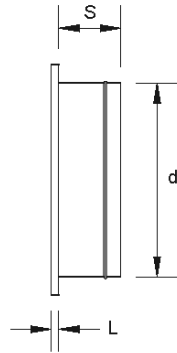
Concentric Reducer



RED

End Cap for Pipe

End Cap for Fitting

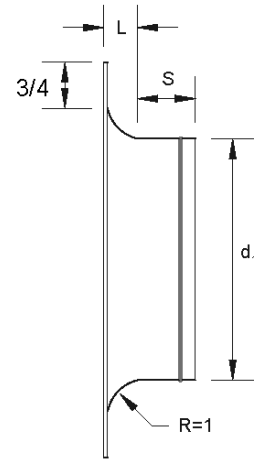
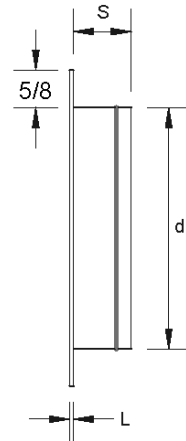


EC

EF

Start Collar

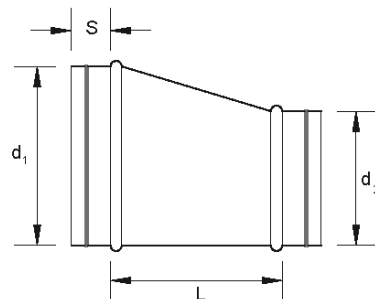
Bellmouth



DRC

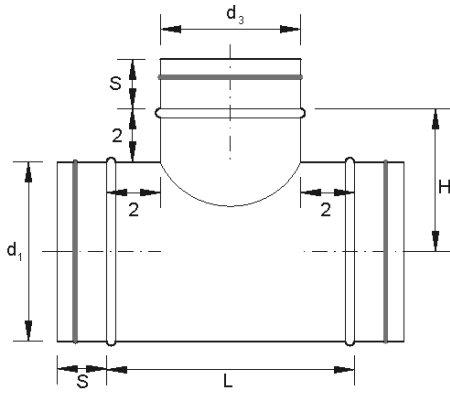
BM

Eccentric Reducer

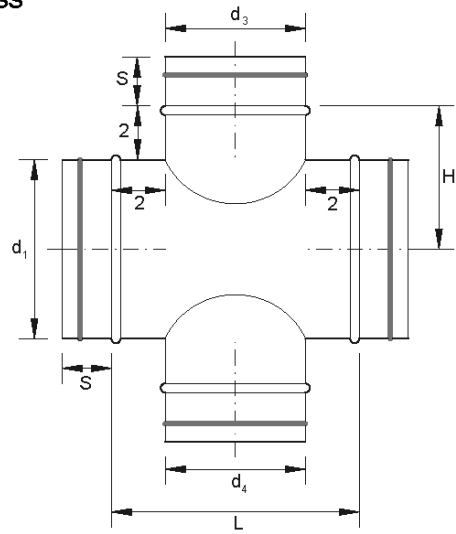


ERED

90° Tee



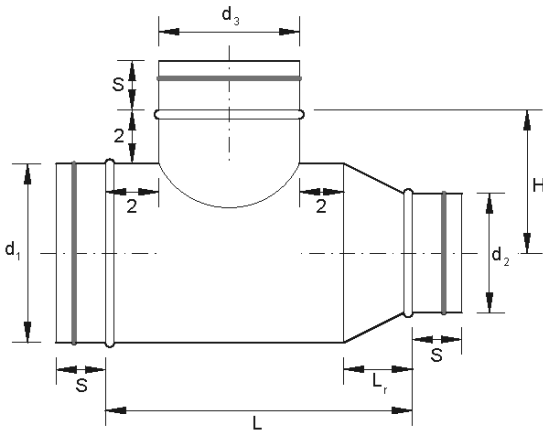
180° Cross



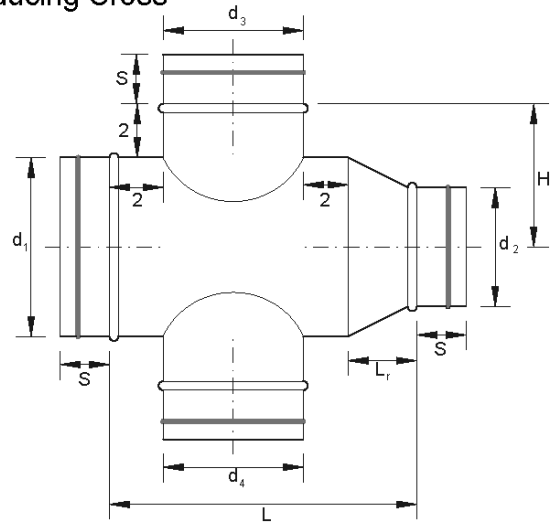
T90

C180

90° Reducing Tee



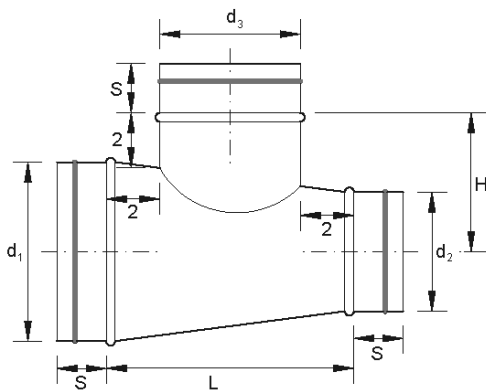
180° Reducing Cross



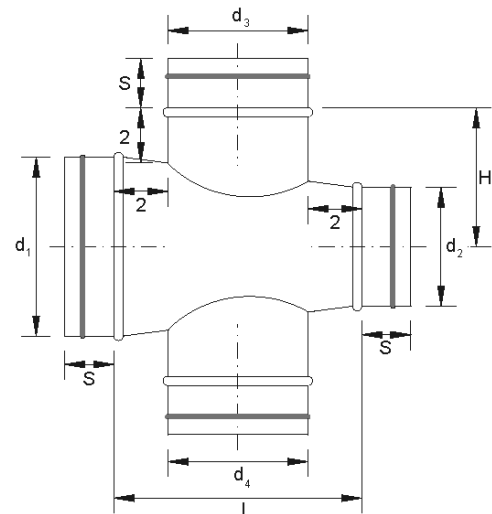
RT

RC

90° Reducing Body Tee



180° Reducing Body Cross

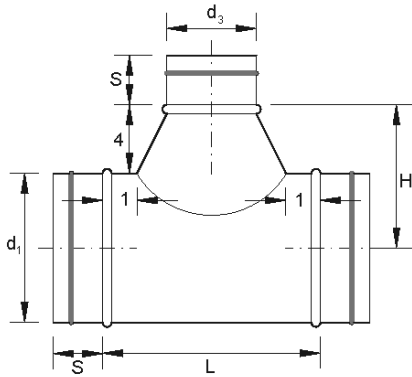


RBT

RBC

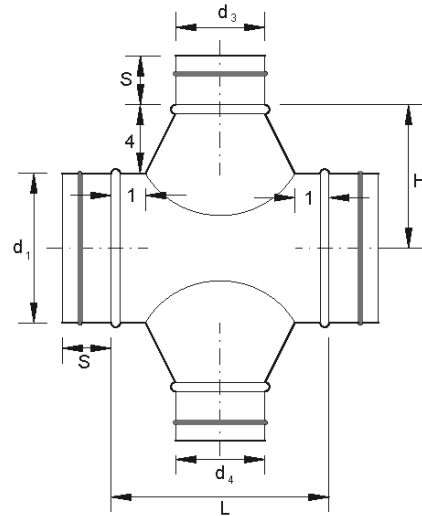


## 90° Conical Tee



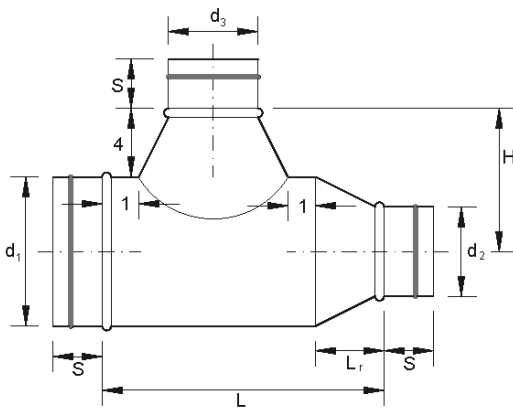
CT

## 180° Conical Cross



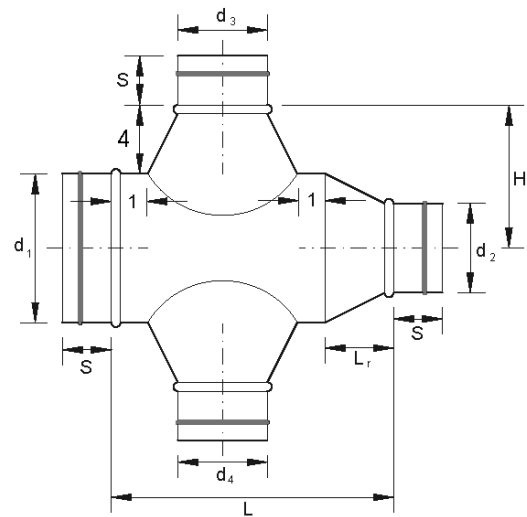
CC

## 90° Reducing Conical Tee



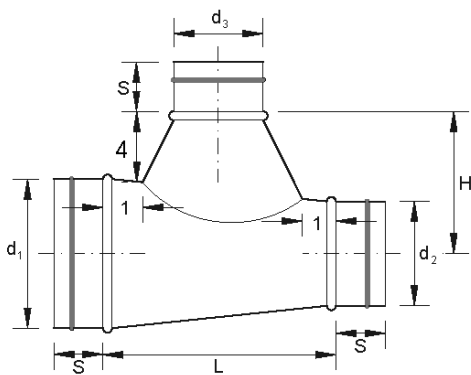
RCT

## 180° Conical Reducing Cross



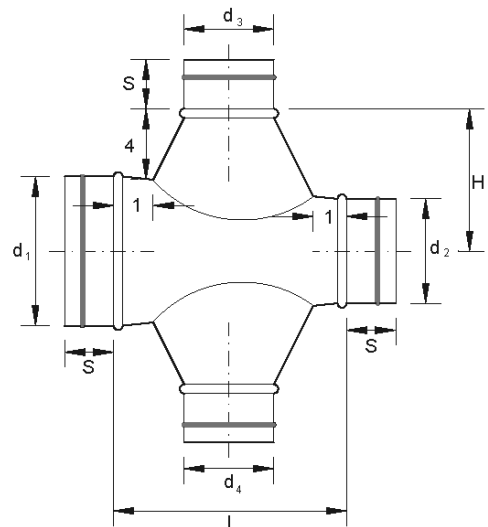
CRC

## 90° Reducing Body Conical Tee



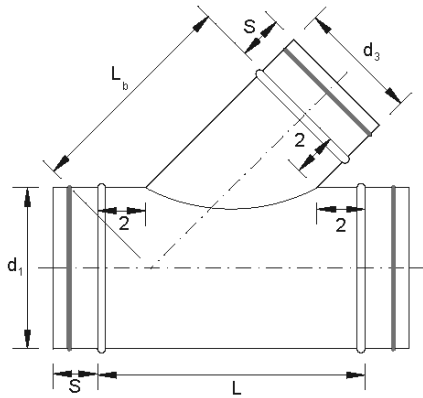
RBCT

## 180° Reducing Body Conical Cross

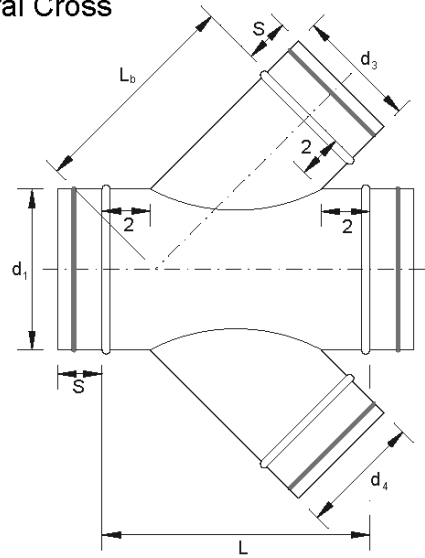


RBCC

45° Lateral



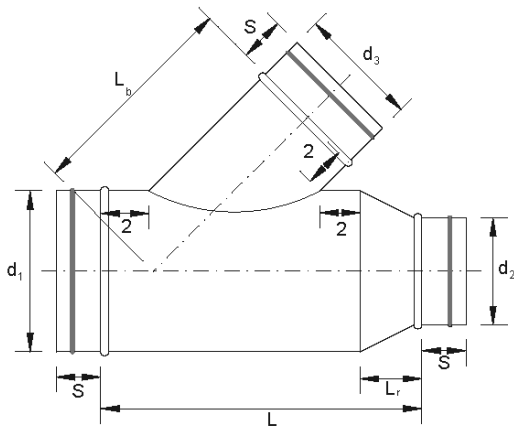
45° Lateral Cross



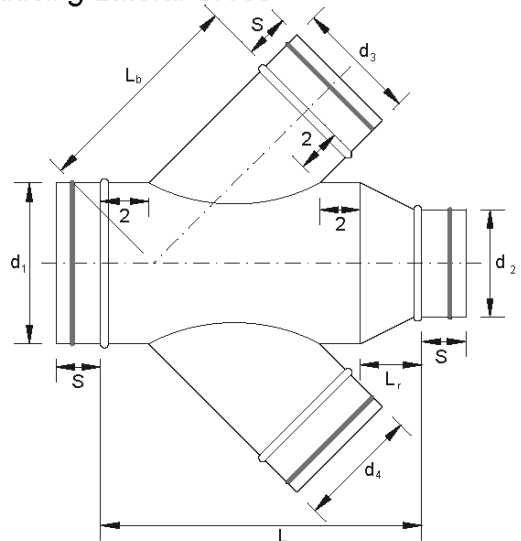
L45

LC45

45° Reducing Lateral



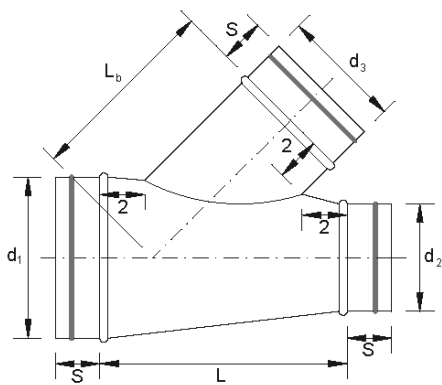
45° Reducing Lateral Cross



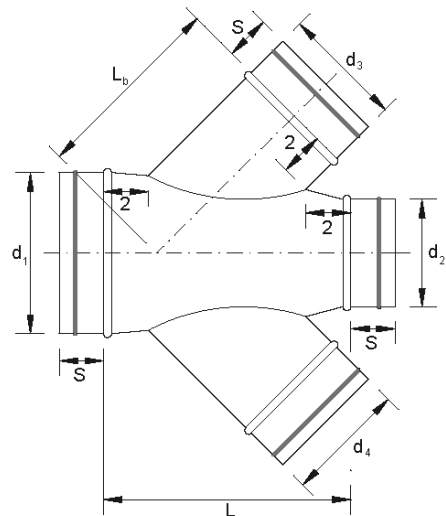
RL

RLC

45° Reducing Body Lateral



45° Reducing Body Lateral Cross

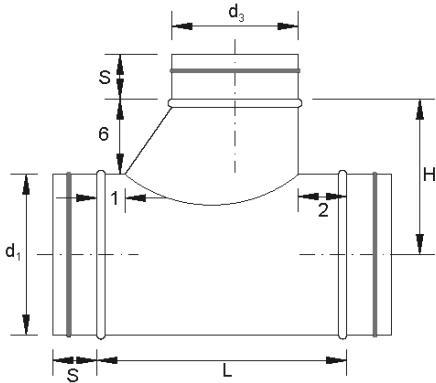


RBL

RBLC

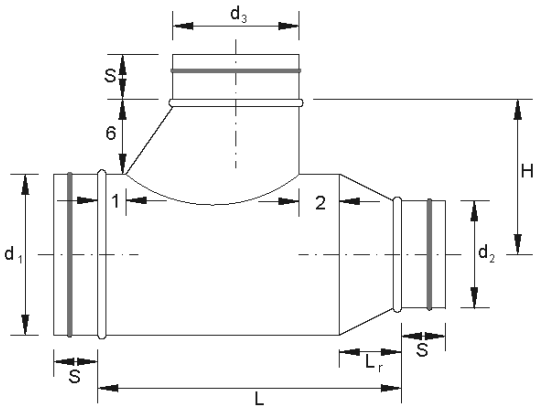


Shoe Type 90° Tee



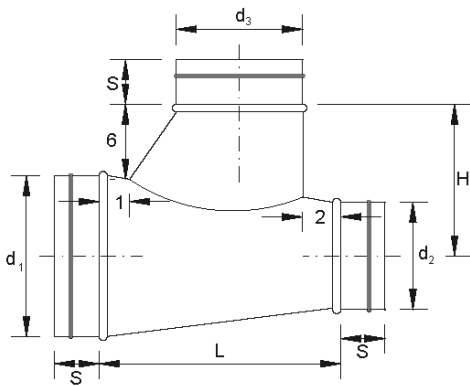
STT

Shoe Type 90° Reducing Tee



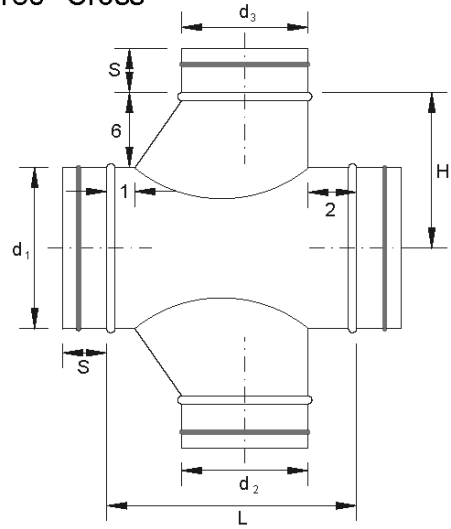
STT

Shoe Type 90° Reducing Body Tee



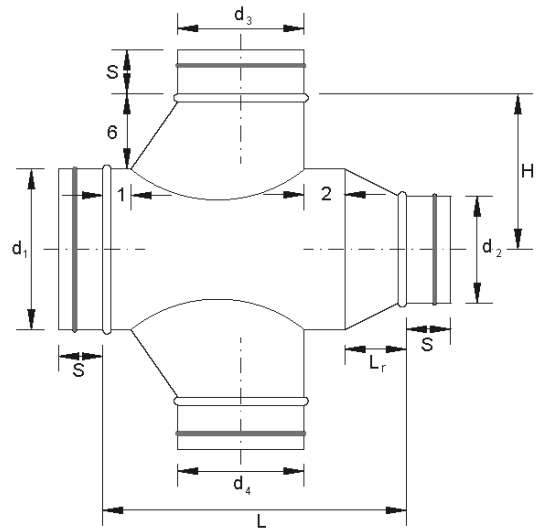
STRBT

Shoe Type 180° Cross



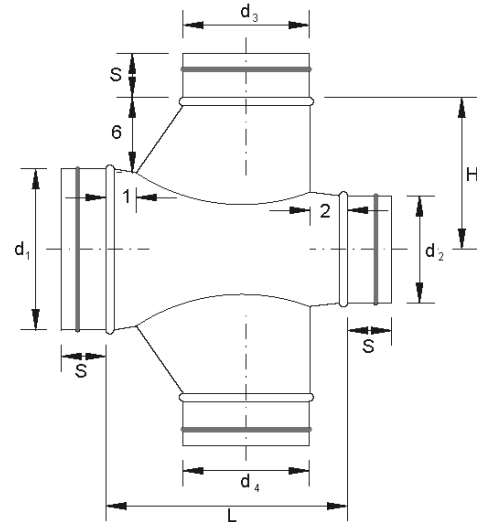
STC

Shoe Type 180° Reducing Cross



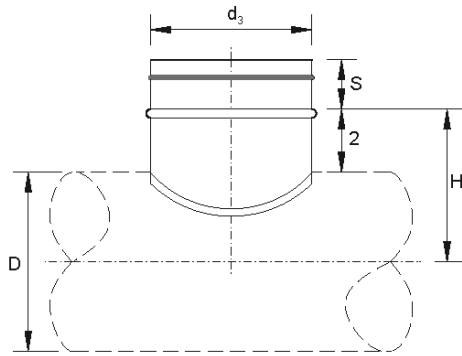
STRC

Shoe Type 180° Reducing Body Cross



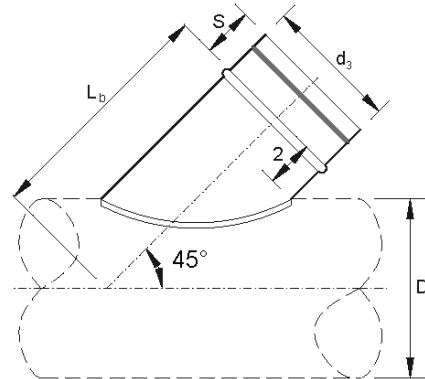
STRBC

90° Saddle Tap



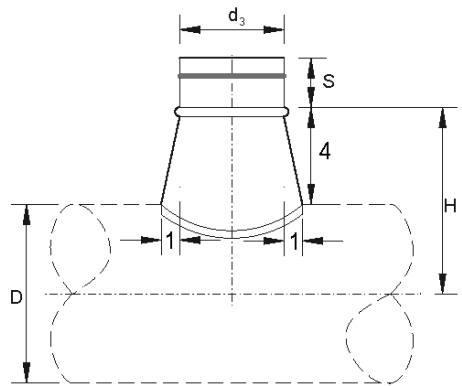
ST

45° Saddle Tap



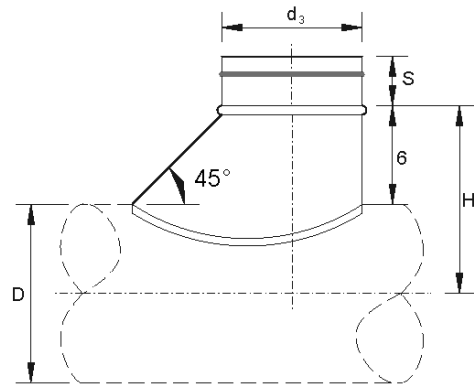
ST45

90° Conical Saddle Tap



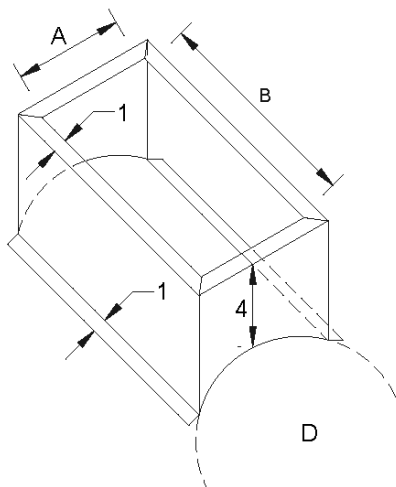
CST

90° Shoe Type Saddle Tap



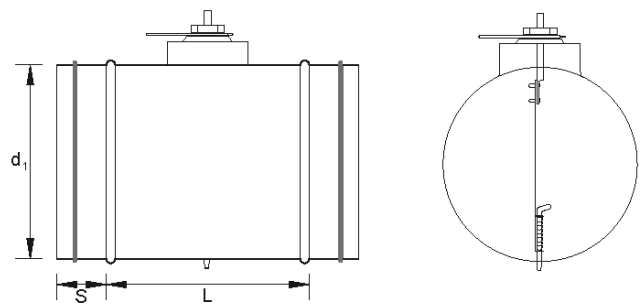
STST

Register Box  
I.D. Required



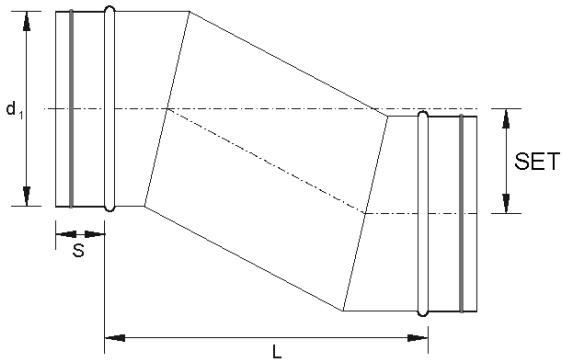
RB

Volume Damper Section    Volume Damper



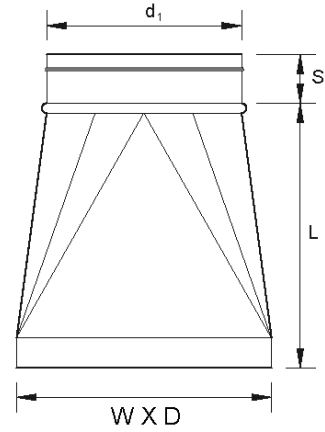
VDS OR VD

Offset



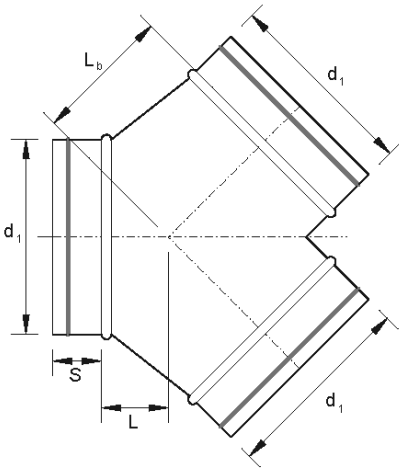
OFF

Square to Round



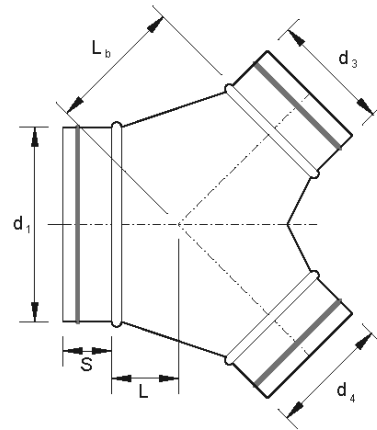
SQRD

Y-Branch



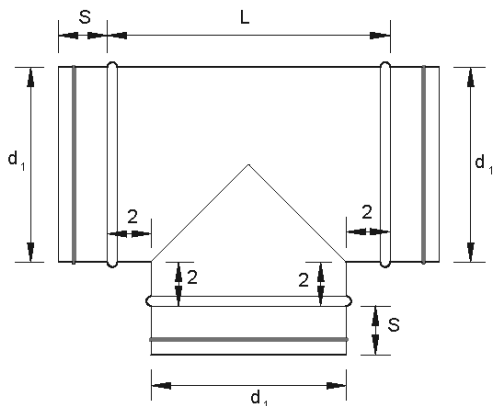
YB

Reducing Y-Branch



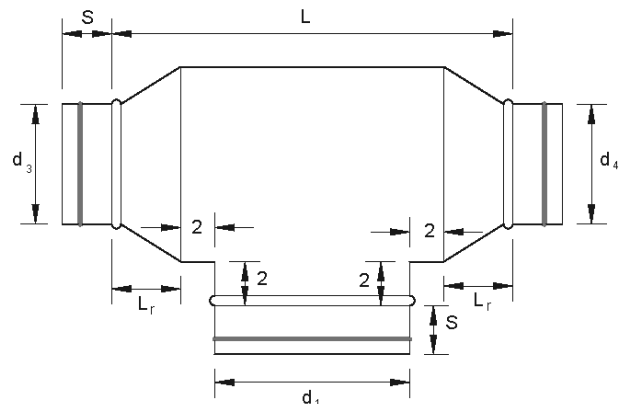
RYB

Bullhead Tee



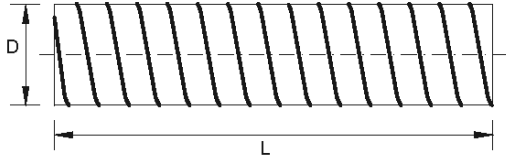
BT

Reducing Bullhead Tee

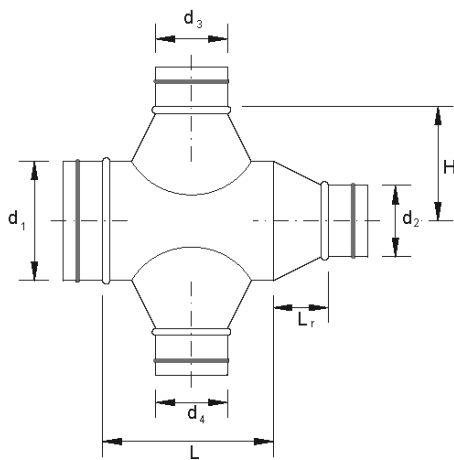
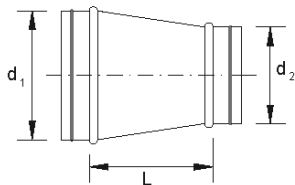
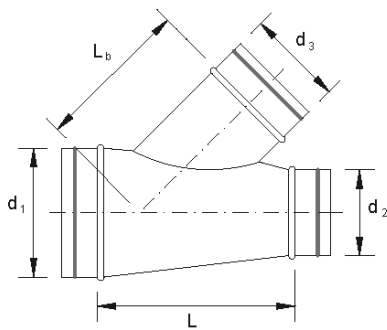


RBT

## Product designations and standard gauges



- D.....Nominal diameter (pipe size)
- $d_1, d_2, d_3, d_4$ .....Nominal diameter (fitting size)
- L.....Installed length
- $L_b$ .....Branch installed length
- $L_r$ .....Reducer length
- S.....Slip length
- H.....Installed height
- R.....Center line radius



Galvanized Steel (ASAM A-527) or Stainless Steel (Type 304 or 316) Gauges for +10" W.G.		
Diameter	Spiral Pipe	Fitting/ Rolled Pipe
4"-14"	26	24
16"-26"	24	22
28"-36"	22	20
38"-48"	20	20

Aluminum (Type 3003-H14) Gauges for +2" W.G.		
Diameter	Spiral Pipe	Fitting/ Rolled Pipe
4"-14"	.025	.032
16"-26"	.032	.040
28"-36"	.040	.050
38"-48"	.050	.063

Polyvinyl Coated (PVC Coated) Steel Gauges					
4X1 Underground			4X4 or 4X1 Reverse Abovefloor		
Diameter	Spiral Pipe	Fitting/ Rolled Pipe	Diameter	Spiral Pipe	Fitting/ Rolled Pipe
4"-8"	26	26	4"-12"	26	26
9"-16"	24	24	14"	26	24
18"-24"	22	22	16"-18"	24	24
26"-32"	20	20	20"-26"	24	22
			28"	22	22
			30"-36"	22	20

All measurements are in inches (")  
All angles are in degrees (°)

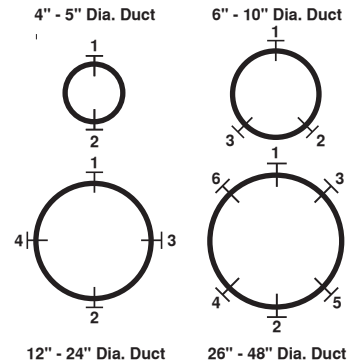
**TIP: When installing SPIRAmir gasketed fittings always place the gasket at the leading edge of the fitting.**



- **SPIRAmir** conforms to ASTM-A653/A924 standards
- **SPIRAmir** conforms to ASTM standard A240
- **SPIRAmir** connections satisfy SMACNA's leakage Class 3 requirements, per SMACNA's Duct Design Manual from -20" W.G. to +12 W.G.
- **SPIRAmir** Self-Sealing Spiral Duct System has been tested by an accredited testing laboratory in accordance with UL testing standards
- **SPIRAmir** is tested in accordance with UL 723 and NFPA 55 standards
- **SPIRAmir** Spiral Duct System produces a flame spread index of zero (0) and smoke developed index of zero (0)

**Installation:**

1. Spiral duct must be cut at a straight right angle and be deburred.
2. Make sure the spiral pipe or large end fitting is pushed all the way in and up to the bead of the small end fitting.
3. Secure the slip connection together by using sheetmetal screws or rivets.
4. Place the screws or rivets 1 1/2" from the edge of the pipe or the end fitting to avoid cutting the O-Ring gasket.



**Materials:**

G90 For fittings, G60 or better for spiral duct, conforms to ASTM-A653/A924 standards.

Stainless Steel 304/2B and 316/2B, conforming to ASTM-A240.

Aluminum 3003-H14

PVC/PCD coated steel 4 X 1 underground, 4 X 4 above round and 4 X 1 reverse.

**Metal Gauges:**

Gauges are accordance with SMACNA duct construction standards.

**SPIRAmir fittings are manufactured by one or more of the following construction methods:**

*Fittings:*

- Overlapped and stitched welded along the entire length of the fitting
- Standard seam gore-locked
- Button Punch
- Spot Welded

*Duct:*

- Spiral lock seam construction
- Rolled construction continuously stitch welded along the entire length of the duct

**Pressure Class:**

***SPIRAmir fittings far exceed SMACNA's medium pressure/high velocity requirements (+10" W.G.)***

*SPIRAmir* is a patented product, manufactured exclusively by MACY INDUSTRIES, Inc., in: NH, RI, ME, MA, CT and VT.

QUESTIONS? LOVE THE PRODUCT? SUGGESTIONS? WE WANT TO HEAR FROM YOU, CONTACT OUR SALES STAFF AT:

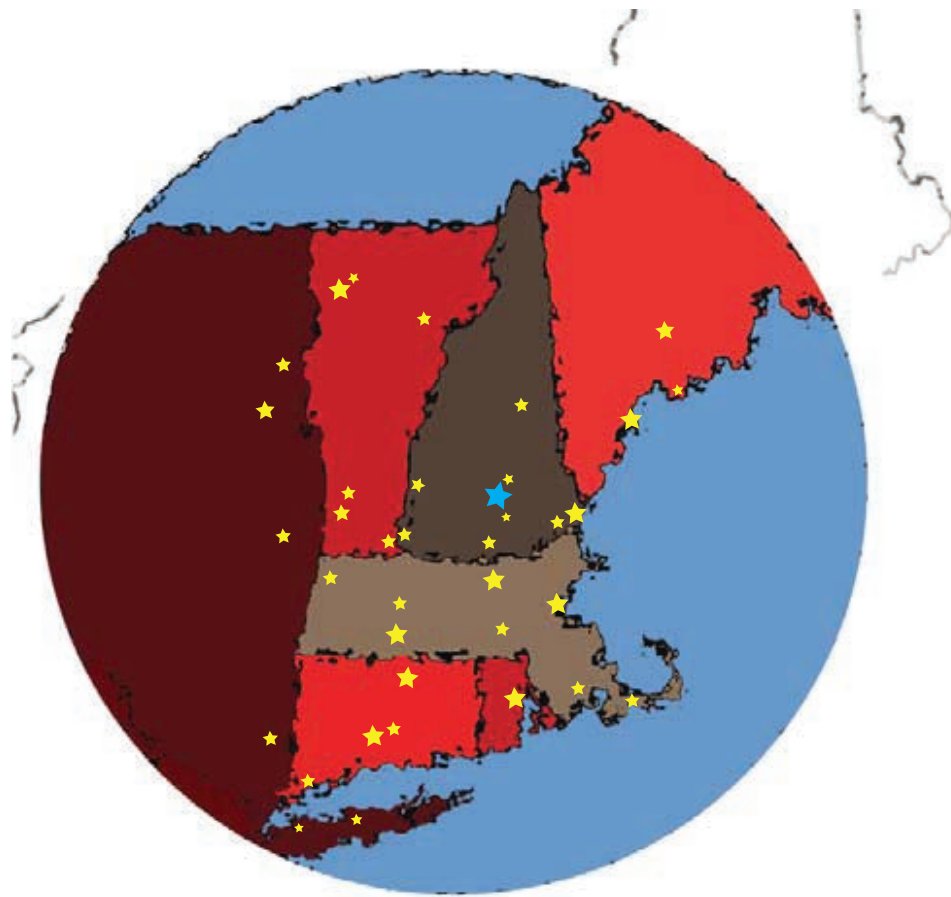
(603) 623 - 5568  
 INFO@MACYINDUSTRIES.COM

FRONT COVER: DEMETER'S STEAKHOUSE, PORTSMOUTH, NH - (603) 766 - 0001

© COPYRIGHT 2012 MACY INDUSTRIES, INC.  
 NOTE: THIS MATERIAL AND INFORMATION IS PROPERTY OF MACY INDUSTRIES, INC., AND CANNOT BE REPRODUCED OR USED WITHOUT THE KNOWLEDGE AND WRITTEN CONSENT OF MACY INDUSTRIES, INC.

**YOUR SOLUTION FOR METAL FABRICATION**





**MACY INDUSTRIES, INC.**  
8 INDUSTRIAL PARK DRIVE  
HOOKSETT, NH 03104

p: (603) 623 - 5568

f: (603) 623 - 1155

**YOUR SOLUTION FOR METAL FABRICATION**